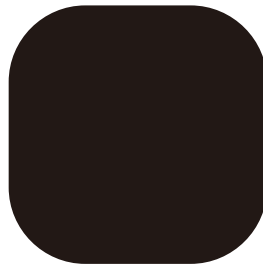
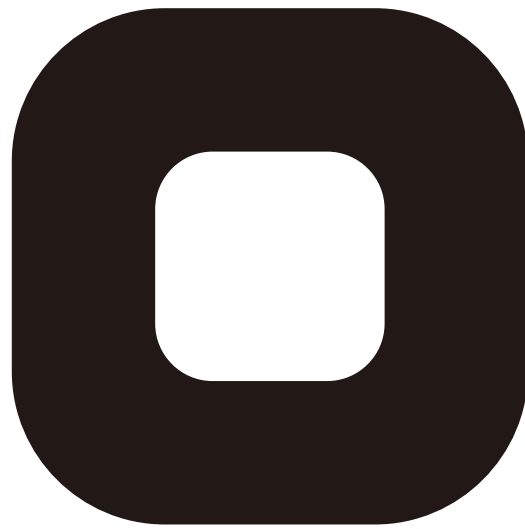


Auto-wrapping system toilet

wrappon · ORB

User's Manual



wrappon

Introduction

Use

Store Properly

What this happens

Please read this manual carefully and understand thoroughly before using it.
Please keep this manual anytime and keep it in a safe place.

 NIHON SAFETY CO.,LTD.

Table of Contents

Introduction

Before Using	3
Product overview	3
About User 's Manual	3
To Ensure Safe Use	4
Confirming Components Accessories and Consumables	10
Names of Parts	11
Main body	11
Removed toilet seat and inside cove	11
Product Dimensions	12

Use

Assembling the Main Body	13
Install the Film Cassette	16
How to Use a Heated Toilet Seat	19
How to Use each Functnion	21
Using the Toilet	22
Replacing the Film Cassette	24

Store Properly

Cleaning and Maintenance	26
Daily maintenance	26
When the inside of the toilet is dirty	26
When installing a film cassette	26
Replacing with a Bucket	27
Storage	29
About storage place	29

What this happens

Frequently Asked Questions	30
About Display of Remote Control	31
In Case this Happens	33
Correct re-wrapping	35
How to Take Out the Film While in Use	37
How to Install the Film Cassette While in Use	38
Specifications	39
Warranty and After-Sale Service	40

Before Using

Thanks for purchasing our auto-wrapping excrement treatment toilet system, Wrappon•ORB. This User's manual explains correct handling method, simple inspection and simple care instruction of the product.

Before using the product, please read this User's Manual thoroughly to ensure correct use. (We cannot be held responsible for the damage caused by non-compliance of the User's manual's description, so please be careful.)

About the product






- This product is an auto-wrapping excrement treatment toilet system. This applies for elderly and handicapped persons who have difficulty of going to the toilet. Do not use this for other purpose.
- After excretion, by hardening waste with coagulant and wrapping with the film so this can be used as toilet with clean, easy and no smell.
- Wrapping cannot be possible with the product so please make sure to use the designated film cassette.
- The film cassette for wrapping is consumable (sold separately).
- Be careful not to pinch your fingers, etc. against each part when assembling.
- Please contact the store you purchased.
- This product is Japan only.



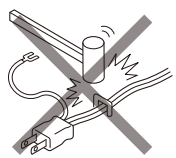


About User's manual

- Please keep this User's manual in a safe place where the user can read it any time. If you lost or damaged this manual, please purchase a new manual at the store you purchased.
- For the product improvement, this manual maybe modified without prior notice.
- User's manual and warning labels do not necessarily show the shapes so the display values shown in the diagrams are only examples.
- When you transfer the product, please give this manual and also handy manual as well.
- The intellectual property rights for this User's manual belongs to the manufacturer. Reproducing all or any part of the contents is prohibited.

To Ensure Safe Use

Before using product, read the "To ensure Safe Use" section thoroughly to ensure Correct use. The precautions described here represent important safety-related issues and must be observed.













Precautionary symbols and its meanings		Various symbols used to indicate and explain the items that must be observed.	
 Warning	Using the product incorrectly and ignoring this symbol may cause death or serious injury		This type of symbol means "PROHIBITED". The one shown on the left means "Do not disassemble."
 Caution	Using the product incorrectly by ignoring this symbol may cause injury or property damage		This type of symbol means a forced content that must not be done. Left sign means "MUST BE OBSERVED."
			This type of symbol means "REQUIRED:" Left sign means "MUST BE OBSERVED:"


 Warnings		
<p>! MUST BE OBSERVED</p> <p>When using the AC adapter, connect it directly to an outlet(AC100V-240V)and securely insert the plug.</p> <p>If the adapter is not plugged in securely, electric shock or fire may result due to overheating.</p>	<p>! MUST BE OBSERVED</p> <p>Use only designated AC adapter.</p> <p>Use only the specified AC adapter. If not, it may damage the product or pose a danger.</p>	<p style="text-align: center;"></p> <p>PROHIBITED</p> <p></p> <p>Do not use staples, nails, or wires to fasten the power supply cord.</p> <p>May damage the power supply cord causing electric shock, short circuit, or fire.</p>
<p style="text-align: center;"></p> <p>DO NOT TOUCH WITH WET HAND</p> <p>Do not touch with wet hand .</p> <p>May cause electric shock if you touch the electric plug and switch with wet hand.</p>	<p style="text-align: center;"></p> <p>DO NOT WET WITH WATER</p> <p>May cause short in the electrical circuit and corrosion on the product.</p>	<p>! MUST BE OBSERVED</p> <p>Reinforcement bar must be installed.</p> <p>Without it, the product may fall resulting injury.</p>

⊘ Warnings

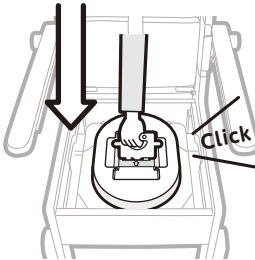
<p style="text-align: center;">▲ PROHIBITED</p> <p>Be careful not to damage the cords, plugs, etc.</p> <p>Do not damage, do not modify, keep away from high temperature, do not forcibly bend, do not twist, do not pull, do not place under a heavy object, or do not bundle them.</p> <ul style="list-style-type: none"> ● A damaged cord or plugs, if used, may cause electric shock, short circuit, or fire. ● When unplugging, hold the plug itself and pull out straight. ● If the power supply cord becomes damaged, ask the seller to repair it. 	<p style="text-align: center;">▲ PROHIBITED</p> <p>Use the product only as a toilet and do not use for other purposes.</p> <ul style="list-style-type: none"> ● Do not place it inside a vehicle and use it as a seat. ● Do not use the product as a step. ● Do not use the product as a pallet. ● Do not use the product as a chair while taking the toilet seat off. <p>The above may cause the product to topple or be damaged, causing injury.</p>	<p style="text-align: center;">▲ PROHIBITED</p> <p>Do not place a heavy load on the product.</p> <ul style="list-style-type: none"> ● Do not stand on the product. ● Do not move the product while person is on the product. ● Do not use two persons at the same time. <p>The above may cause the product to topple or be damaged, causing injury.</p>
<p style="text-align: center;">▲ PROHIBITED</p> <p>When the main power supply is ON, do not put your hand in the film or toilet.</p> <p>The rollers or seal bar may trap your hand causing severe injury.</p>	<p style="text-align: center;">▲ DO NOT DISASSEMBLE</p> <p>Do not attempt to disassemble or repair the product.</p> <p>High voltages are present inside the product, which may cause electric shock, fire, or product malfunctioning result in injury .</p>	<p style="text-align: center;">▲ PROHIBITED</p> <p>If you hear thunder, do not touch the main unit or power supply plug.</p> <p>May cause electric shock.</p>
<p style="text-align: center;">▲ PROHIBITED</p> <p>When the main power supply is ON, do not put your hand through the bottom of the product.</p> <p>Inside the product has moving parts which may trap your hand causing severe injury.</p>	<p style="text-align: center;">! MUST BE OBSERVED</p> <p>Regularly clean the dust off from the power supply plug.</p> <p>Accumulated dust may cause an insulation failure, resulting in fire due to overheating. Disconnect the power supply plug and clean the dust once a month.</p>	<p style="text-align: center;">! UNPLUG</p> <p>Before maintenance or inspection, disconnect the power supply plug.</p> <p>If not unplugged, you may get an electric shock or an injury.</p>

To Ensure Safe Use(continued)

 Warnings		
<p style="text-align: center;"> NO OPEN FLAME</p> <ul style="list-style-type: none"> • Do not install the product near an open flame. Do not throw flammable material or lit cigarettes into the toilet. • Deform the product may cause short circuit or fire which may result in waste leakage. • Do not use the product near a stove. 	<p style="text-align: center;"> PROHIBITED</p> <p>Children or adults who require assistance in moving must not use the product by themselves.</p> <ul style="list-style-type: none"> • May result in injury if mischief movement is done • by a child. <p>May result in injury if the product falls.</p>	<p style="text-align: center;"> MUST BE OBSERVED</p> <p>When using, consult with caregiver companion or an expert depending on physical condition.</p> <p>Please consult with the store you purchased or an expert for important points if you need caregiver companion depending on physical condition.</p>
<p style="text-align: center;"> MUST BE OBSERVED</p> <p>Do not put the coagulant into your mouth. The coagulant is not food. Check the precautions when using coagulants.</p>	<p style="text-align: center;"> MUST BE OBSERVED</p> <p>The product must be used on a flat and stable location.</p> <p>If installed in an unstable location, the product may fall down and cause injury.</p>	<p style="text-align: center;"> UNPLUG</p> <p>If the product is not to use for a long time, disconnect the power supply plug from the electrical outlet.</p> <p>Insulation deterioration may cause electric shock or fire.</p>
<p style="text-align: center;"> MUST BE OBSERVED</p> <p>Attach the toilet seat to the main body correctly and use it.</p> <p>If you use it while installed in the wrong position, doing so may cause the product to tip over or damage the product, resulting in injury.</p>	<p style="text-align: center;"> MUST BE OBSERVED</p> <p>Tighten the screws of legs, armrests and backrest firmly before using.</p> <p>If used loosely, doing so may cause the product to tip over or damage the product, resulting in injury.</p>	<p style="text-align: center;"> MUST BE OBSERVED</p> <p>The screws of legs, armrests and backrest are checked once a month.</p> <p>If loose, falling over or damage to the product may cause injury.</p>
<p style="text-align: center;"> MUST BE OBSERVED</p> <p>Do not move the product with the power plug connected.</p> <p>Get caught in the cord and fall and get injured or may cause cord disconnection or short circuit.</p>	<p style="text-align: center;"> PROHIBITED</p> <p>Do not use the person heavier than 100kg. It might be damaged and may result in injury.</p>	<p style="text-align: center;"> MUST BE OBSERVED</p> <p>When transferring, do not use an armrest or backrest.</p> <p>It may cause you to fall and get injured.</p>

 Warnings		
<p style="text-align: center;">▲ PROHIBITED</p> <p>Do not put in more than the specified amount of coagulant.</p> <p>The coagulant may become trapped between the rollers which may cause the product to fail. For more information, please refer to precautions for use in coagulant.</p>	<p style="text-align: center;">▲ PROHIBITED</p> <p>Do not use anything except the designated coagulant.</p> <p>Using any other coagulant may cause insufficient coagulation, clogging, wrapping failure, or product failure.</p>	<p style="text-align: center;">▲ PROHIBITED</p> <p>Do not put too much toilet paper, etc.</p> <p>If you put too much toilet paper, it may cause leak as these are put in between while wrapping. So, please be careful.</p>
<p style="text-align: center;">! MUST BE OBSERVED</p> <p>Sit deeply to use</p> <p>If you sit on the edge of the chair, it may leak which may cause malfunction.</p>	<p style="text-align: center;">! MUST BE OBSERVED</p> <p>Please push the used toilet paper etc. down to the bottom.</p> <p>If you throw it away other than the center, it may cause jams and bad wrap.</p>	<p style="text-align: center;">▲ PROHIBITED</p> <p>Do not leave wet or dirty.</p> <p>Doing so may cause stains, mold, or damage to the product.</p>
<p style="text-align: center;">! MUST BE OBSERVED</p> <p>Before use, please make sure that you check if the film is installed or not.</p> <p>If you use it without the film, the waste will leak out and cause malfunction. Or, it will run dry and cause heater failure.</p>	<p style="text-align: center;">▲ PROHIBITED</p> <p>Only use the dedicated film.</p> <p>If you use other film, it may get caught inside the product, and may leak the waste which cause malfunction.</p>	<p style="text-align: center;">▲ PROHIBITED</p> <p>Do not wrap while sitting on the toilet seat.</p> <p>The film may get caught in the toilet seat and cause a malfunction.</p>
<p style="text-align: center;">! MUST BE OBSERVED</p> <p>Do not sit on the reclined backrest.</p> <p>If may cause malfunction damage or injury</p>	<p style="text-align: center;">! MUST BE OBSERVED</p> <p>When the user himself/herself cannot keep his/her body stable enough, use with the help of a caregiver.</p>	

To Ensure Safe Use(continued)

⊘ Warnings		
<p>! MUST BE OBSERVED</p> <p>Set the film using film installation jig.</p>  <p>If not using the film installation jig, the film comes off and becomes imbalance between left and right. These causes defect.</p>	<p>▲ PROHIBITED</p> <p>When cleaning, use diluted neutral detergent and not using the following (detergent for toilet, benzine, thinner, cleanser etc.)</p> <p>The product may get damaged and cause injury. Also, cause for deformation and discoloration</p>	<p>▲ PROHIBITED</p> <p>Do not install, use and store in the following places.</p> <ul style="list-style-type: none"> • Locations with a lots of dust • Locations exceed 80% humidity • Locations exposed to rain or direct sunlight. <p>If installed, used, or stored in such places, these may cause malfunction.</p>
<p>! UNPLUG</p> <p>Unplug the power plug when installing or removing the film cassette.</p> <p>Failure to remove the power plug may result in injury or burns as hands may get caught in rollers or press bar.</p>	<p>▲ PROHIBITED</p> <p>Do not move the product without wrapping.</p> <p>Waist may leak and stain the floor or product. Always wrap waste before moving it.</p>	<p>! MUST BE OBSERVED</p> <p>Do not install the power cord and remote control cord on the movement path.</p> <p>Falling over or damage to the product may cause injury.</p>
<p>! MUST BE OBSERVED</p> <p>After installing a new film cassette, be sure to perform initial pressure bonding of the film.</p> <p>Without initial pressure bonding, waste leaks out because of the bottom of the film is not sealed. This may cause malfunction.</p>		

Warning and Caution Labels

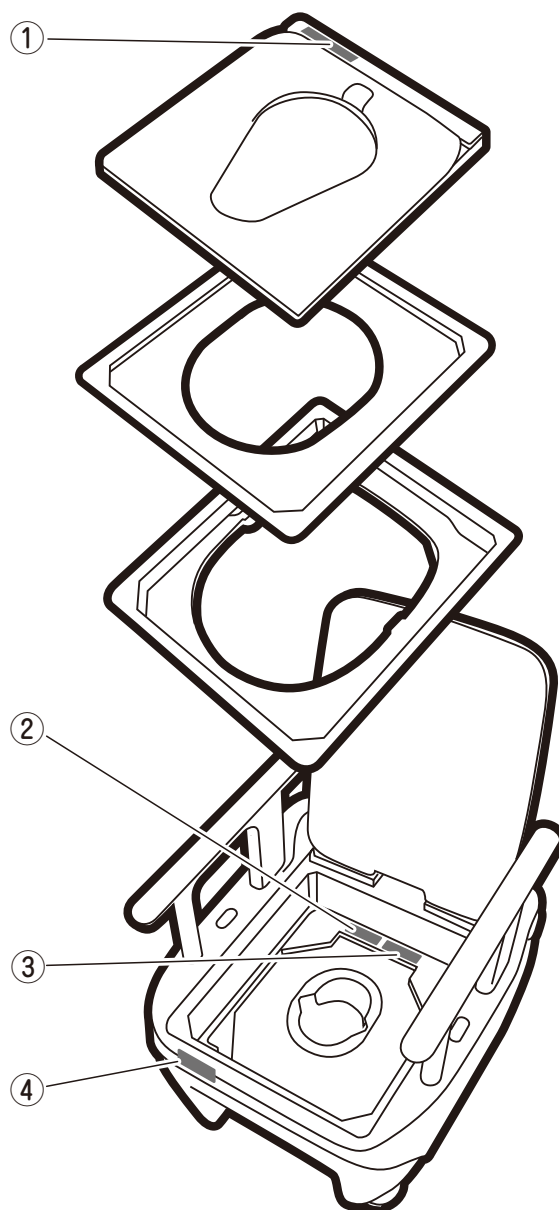
The following warning and caution labels are placed on the main body. Please read these carefully and use the product. Keep these labels always clean so you can read these. If these become dirty, please call your dealer and purchase these to place it on the same position.

⊘ Warnings	⚠ Caution
Do not put your hand in the film or toilet. Your hand may get caught and injured or burned.	Do not throw an object such as lit cigarette into the toilet. Doing so may puncture the film, causing product failure or soiling.

⊘ Warnings
Before installing a film roll, turn OFF the main power supply to avoid the risk of electric shock.

⊘ Warnings
Do not put your hand in the mechanical part, film, or toilet. Your hand may get caught or pinched and may sustain electric shock, injury, or burn.

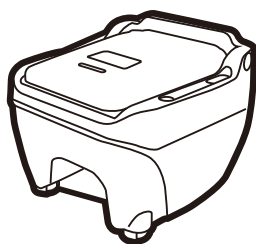
⊘ Warnings
Do not put your hand through the opening on the bottom of the unit. Your hand may get caught or pinched and may sustain electric shock, injury, or burn.



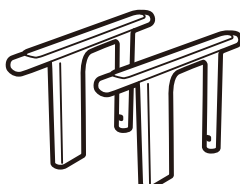
Confirming Components, Accessories and Consumables

Check the parts and accessories.

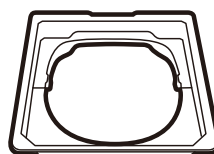
- This product already included the following parts and accessories.
- Before using it, please make sure that you have all parts and accessories. Just in case you miss something or damaged, please inform the store you purchased immediately.



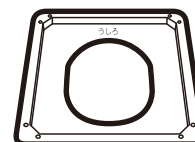
Main body
1unit



Armrests(left and right)
1each



Toilet seat base
1unit

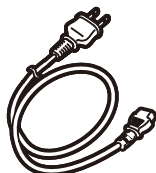


Inside cover
1piece

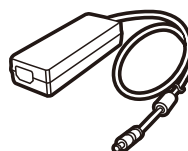


Toilet seat
1unit

(standard seat/soft seat/heated seat)



Power cord
1piece



AC adapter
1piece



velcro
1piece

Use this to secure the remote control to a wall, chair, or similar surface

Accessories



Trey
1piece



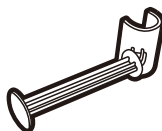
Installation Jig
1piece



Handy Manual
1piece



User's Manual
1book



Toilet paper holder
1piece



Armrest hole cover
1piece



Adjustable height legs
8piece



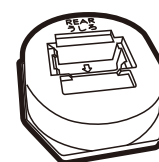
Rubber foot
4piece

Introduction of consumables

Consumables are required for the use of this product. They are not included, So please be sure to purchase them separately



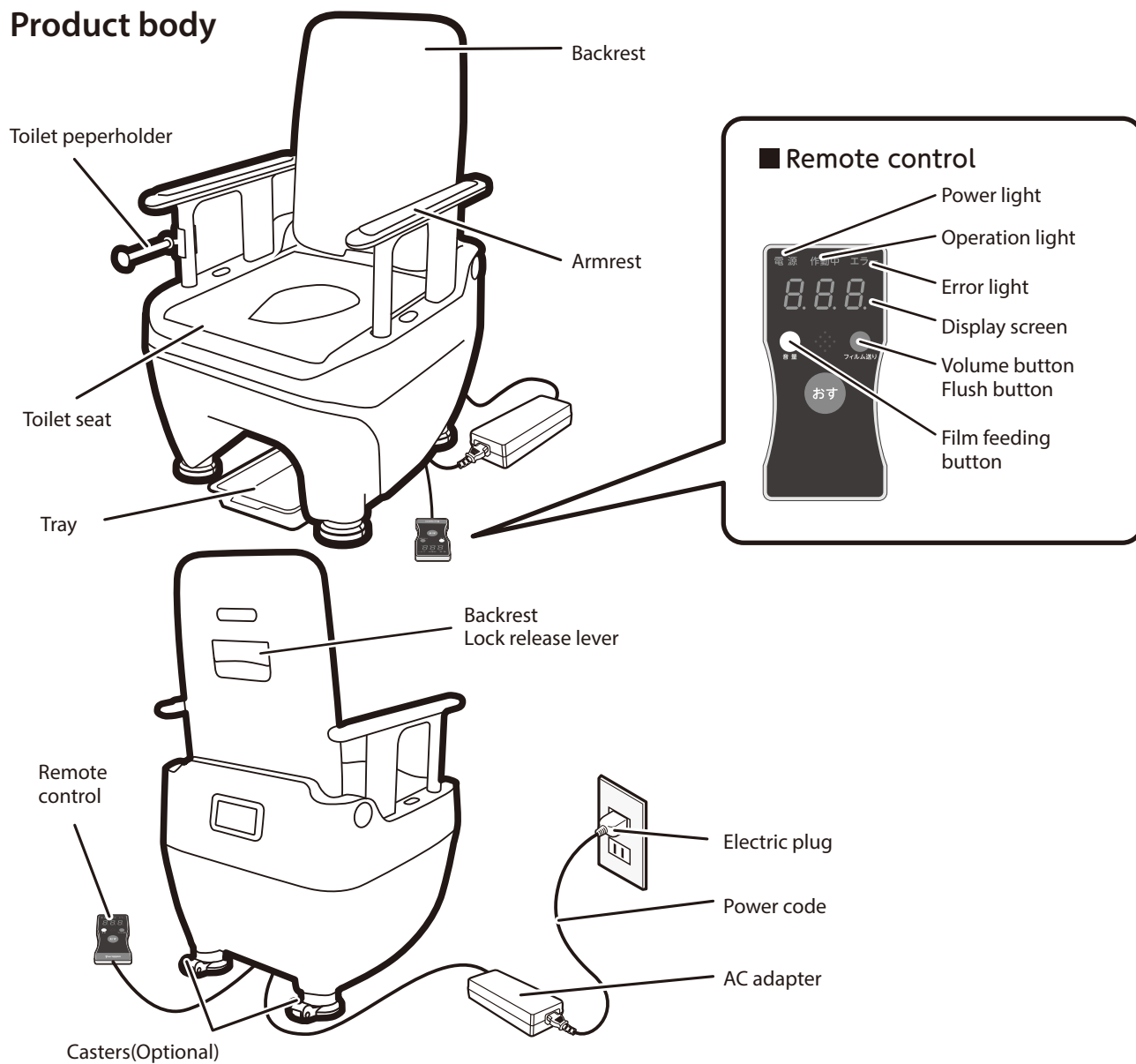
Coagulant T3



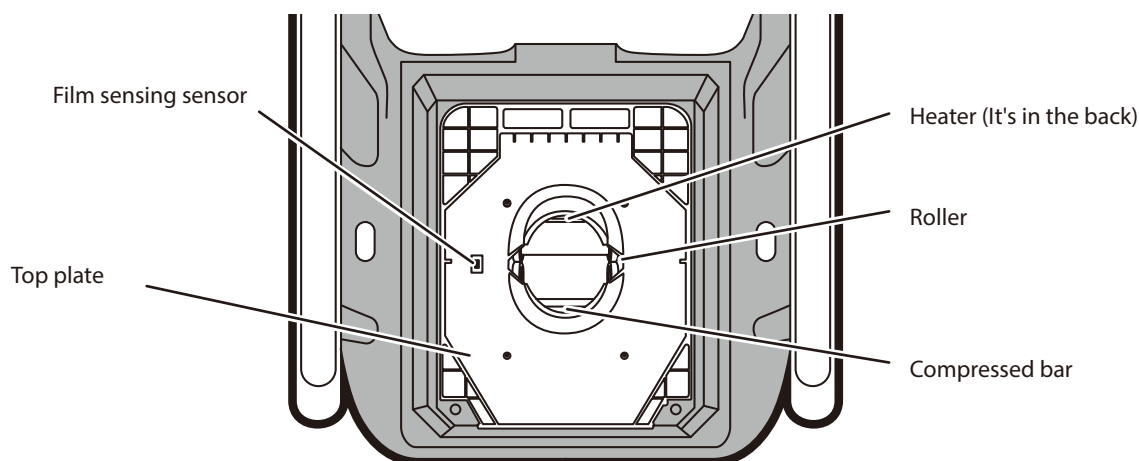
Film cassette type3

Name of Parts

Product body

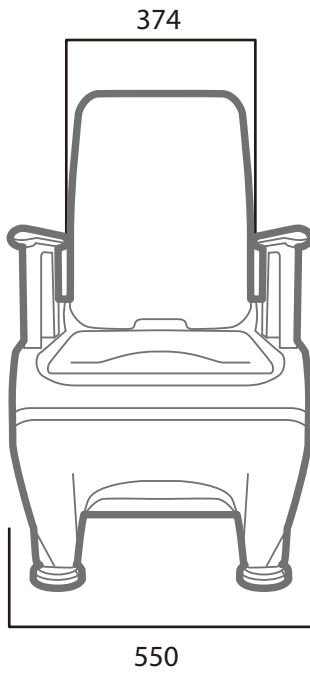


Removed toilet seat, inside cover and toilet seat base.

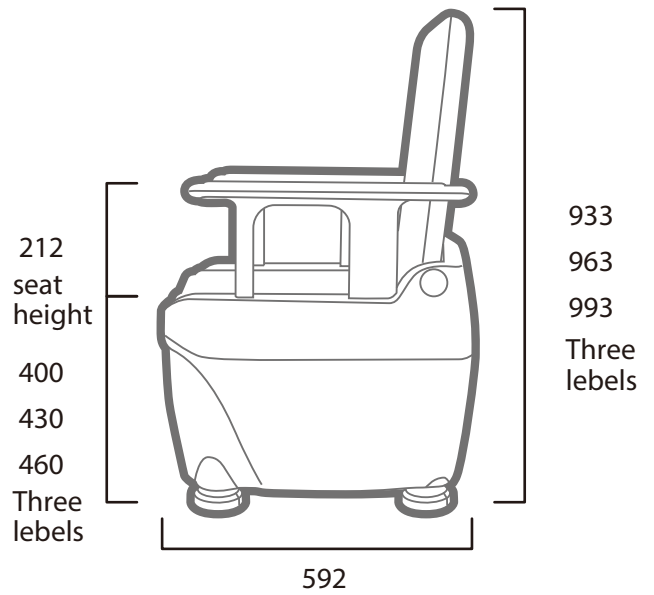


Product Dimensions(unit of length : mm)

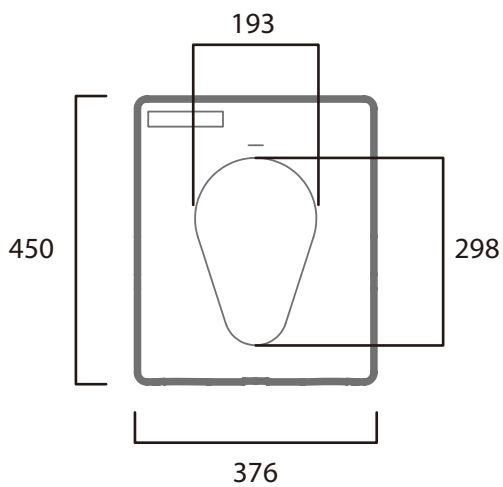
Front



Back



Toilet seat



Assembling the Main Body

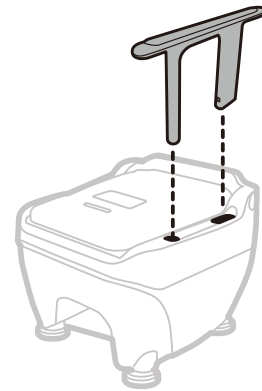
1 Install the armrests(left and right)

Insert the armrest into the hole of the main unit, making sure that the wider side of the armrest post is facing the rear, and push it straight in until it is fully inserted.

⊘ Warnings

After fully inserting the armrest, gently pull it upward to ensure it is locked

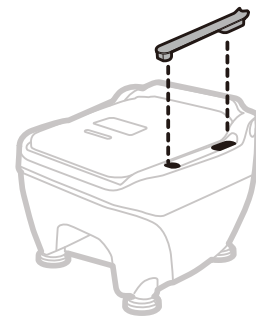
If not locked, the armrest may detach, causing instability and potential injury.



! MUST BE OBSERVED

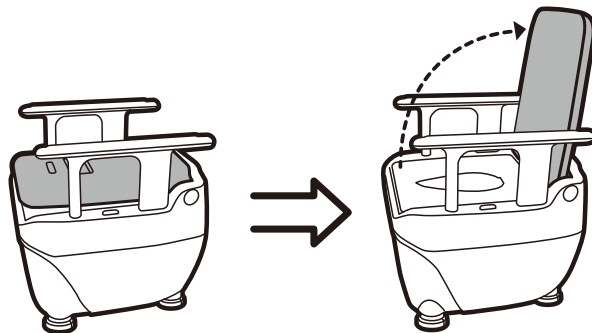
When using the product with one armrest removed for transfer, attach the armrest hole cover.

Using it with the hole exposed may result in fingers or hips getting caught, leading to injury.



2 Raise the backrest

Lift the backrest and raise it fully toward the rear.



△ Caution

After fully raising the back rest, tilt it slightly forward to ensure it is securely locked.

Failure to lock the backrest may cause it to collapse or become unstable when leaned on, leading to injury

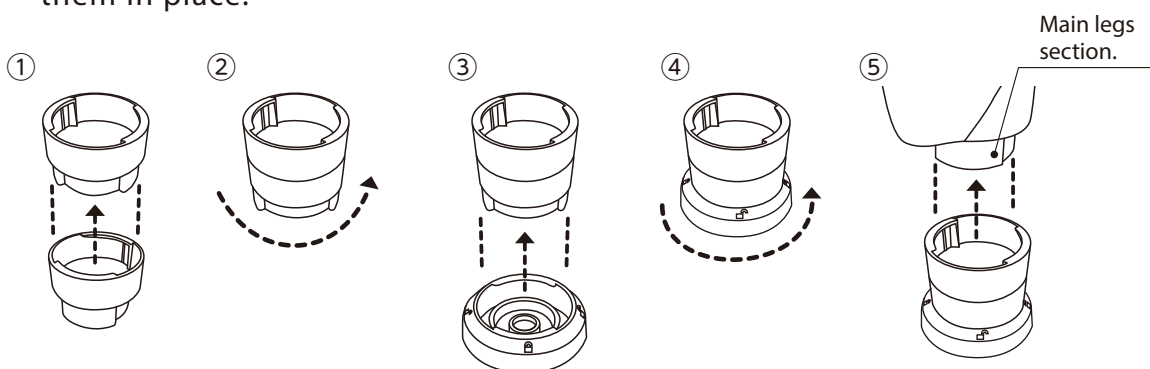
Assembling the Main Body(continued)

3 Adjust the seat height.

The legs can be adjusted to three height levels(approximately 40cm from the floor to the seat).

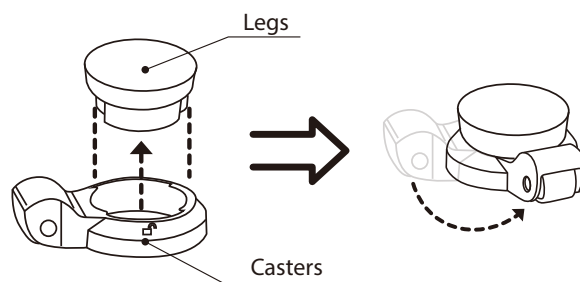
Seat Height	Height Adjustment Details
40cm	Only the Rubber Feet Are Attached
43cm	One Height-Adjustable Leg and the Rubber Feet Are Attached
46cm	Two Height-Adjustable Legs and the Rubber Feet Are Attached

- ① Insert the height-adjustable legs into each other.
- ② Twist the height-adjustable legs to lock them in place.
- ③ Insert the rubber foot.
- ④ Twist the rubber foot to lock them in place.
- ⑤ Insert the height-adjustable legs into the ORB's leg section, then twist to lock them in place.



4 How to attach the casters. (Optional Acce)

When attaching the casters, adjust the seat height first, then insert them into the rear leg section and twist to lock in place.

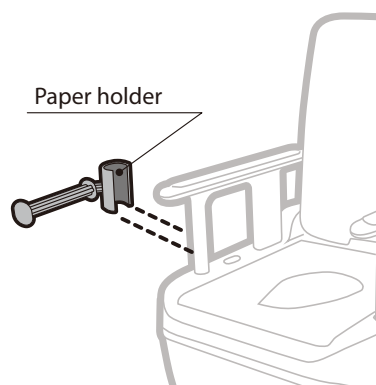


5 Attaching the Paper Holder.

The paper holder can be attached to the support posts.

! MUST BE OBSERVED

Do not use the paper holder as a handrail.
It may cause falls or injury.

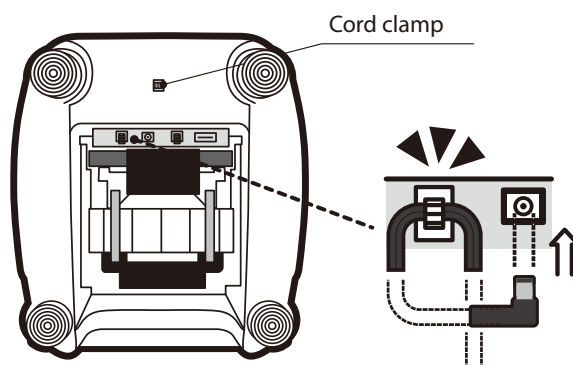


6 Attaching the AC adapter.

Tilt the chair forward to attach the AC adapter. Make sure to fully insert the AC adapter plug into the socket.

7 Securing the cord.

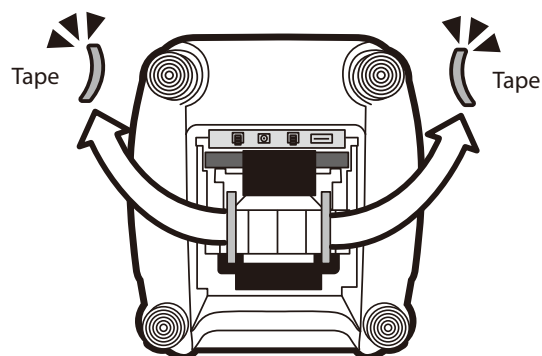
Wrap the cord around the clip to secure it. Additionally, secure the cord to the main unit's cord clamp.



8 Open the chute.

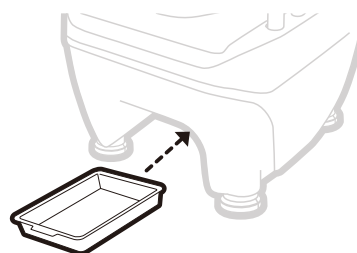
Remove the two tapes for fixing the chute and raise the main unit. The chute stopped at 45° naturally when it opened.

※ If the chute is off, please refer to [What this happens] at page 34 for the chute is off.



9 Set the tray.

Make sure to place the tray underneath the main unit.

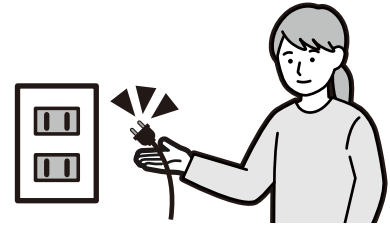


10 Go to [Setting the film cassette] at page 16.

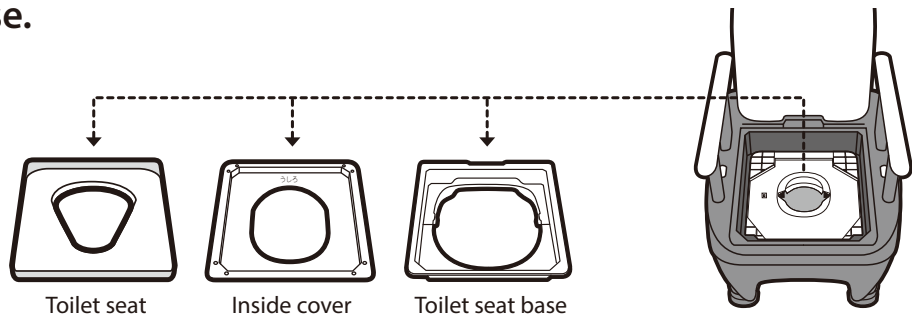
Install the Film Cassette

- Before setting, please go to [Assembling the main body] (page 13-15)
- In order to function wrapping, please install the film cassette properly.
- While the power plug is on, do not put your hand into the toilet bowl.
- Do not use anything other than the dedicated film cassette.

1 Unplug the power cord from the outlet.

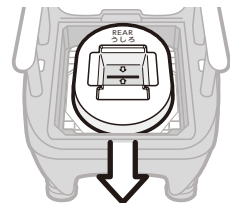


2 If there are a toilet cover base, an inside cover and a toilet seat base remove these.



3 Place the film cassette in the center of the top plate and pull it toward you .

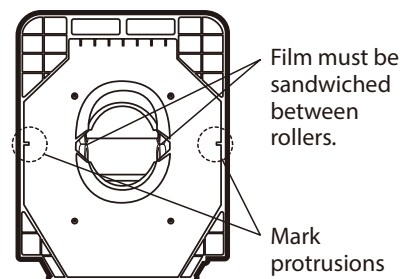
Place the 'Rear' display on the backrest side.



Pull it toward you

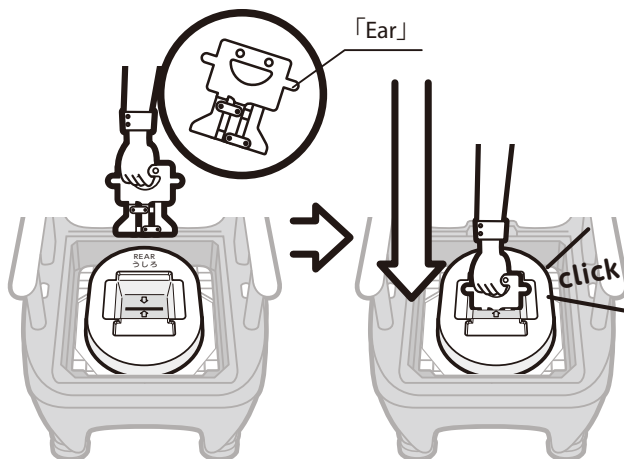
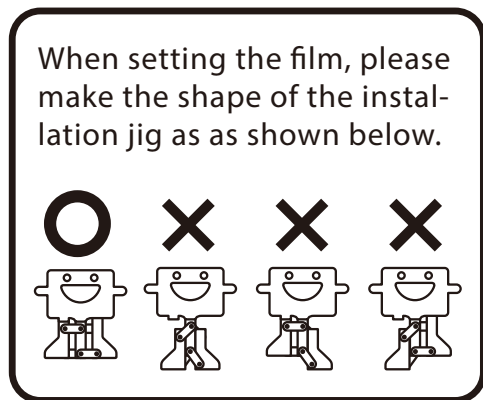
The film must be sandwiched between rollers.

When you pull the film cassette toward you, the protrusions of the mark and slits of the film cassette come to the same position.

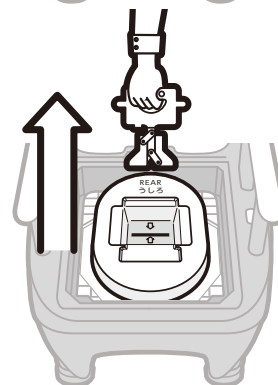


4**Insert the film installation jig into the film cassette lid slits.**

Please push vertically the ears of film installation jig in to the film cassette lid.

**5****Pull out the film installation jig.**

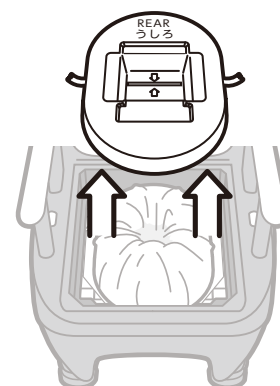
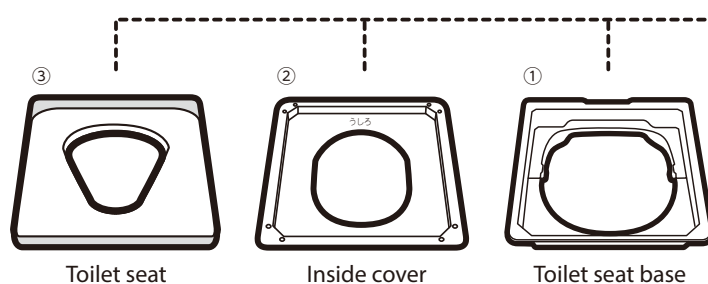
Pull up straight the film installation jig after making sure that you check that the film installation ears hit the film cassette lid.

**6****Slowly lift the lid of the film cassette.**

Peel off the tape on both sides and lift it straight up.

※ Make sure that the film is sandwiched between the left and right rollers.

When the film is out, please insert the film installation jig into the slit again after covering the lid of film cassette.

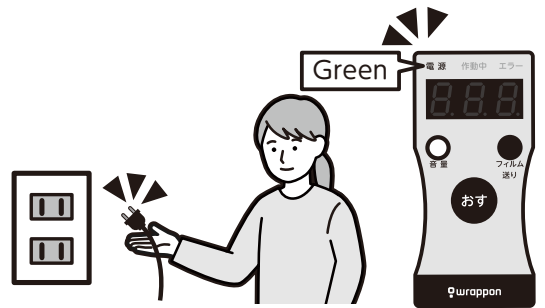
**7****Install the a toilet seat base, inside cover and the toilet seat.**

Setting the Film Cassette(continued)

8

Insert the power plug into the outlet,
confirm that the power light(green) on the remote control is lit.

You hear three beep sounds.

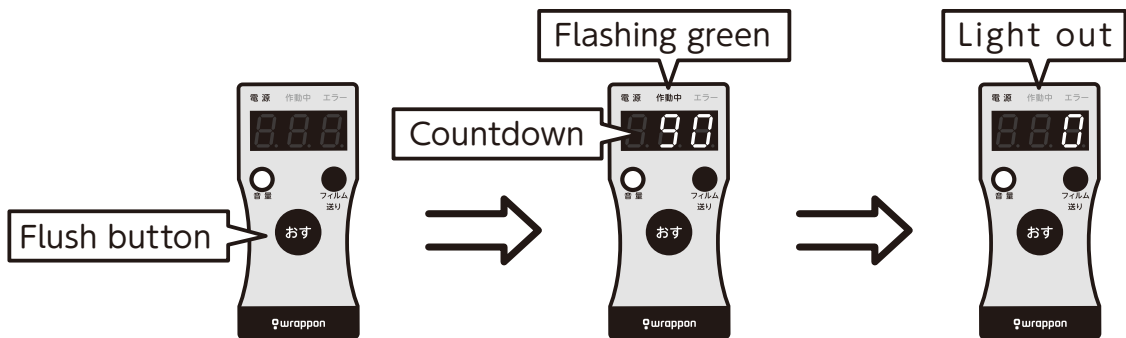


9

Press and hold the flush button for initial thermos bonding.

While wrapping in motion, the operating action light flashes green.

※Without this operation, the bag bottom is not sealed.



Wrapping operation takes about 90 seconds.

The display screen shows an estimate of the remaining time (about 90 seconds count-down) until wrap is complete.

And, at the end of wrapping operation, you can hear three beep sounds.

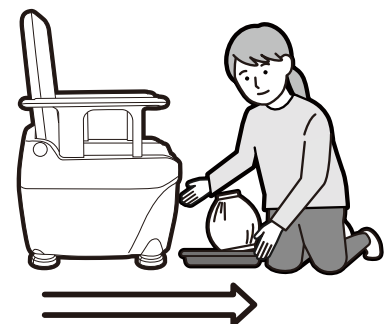
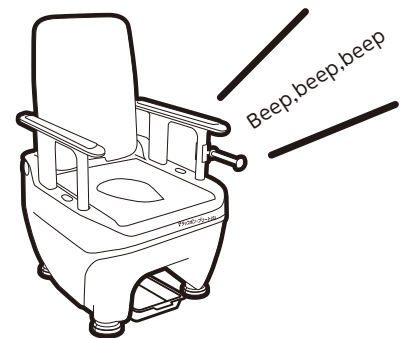
Turn off the light of operation.

When the operation light turned off,

10

Take out the cut film.

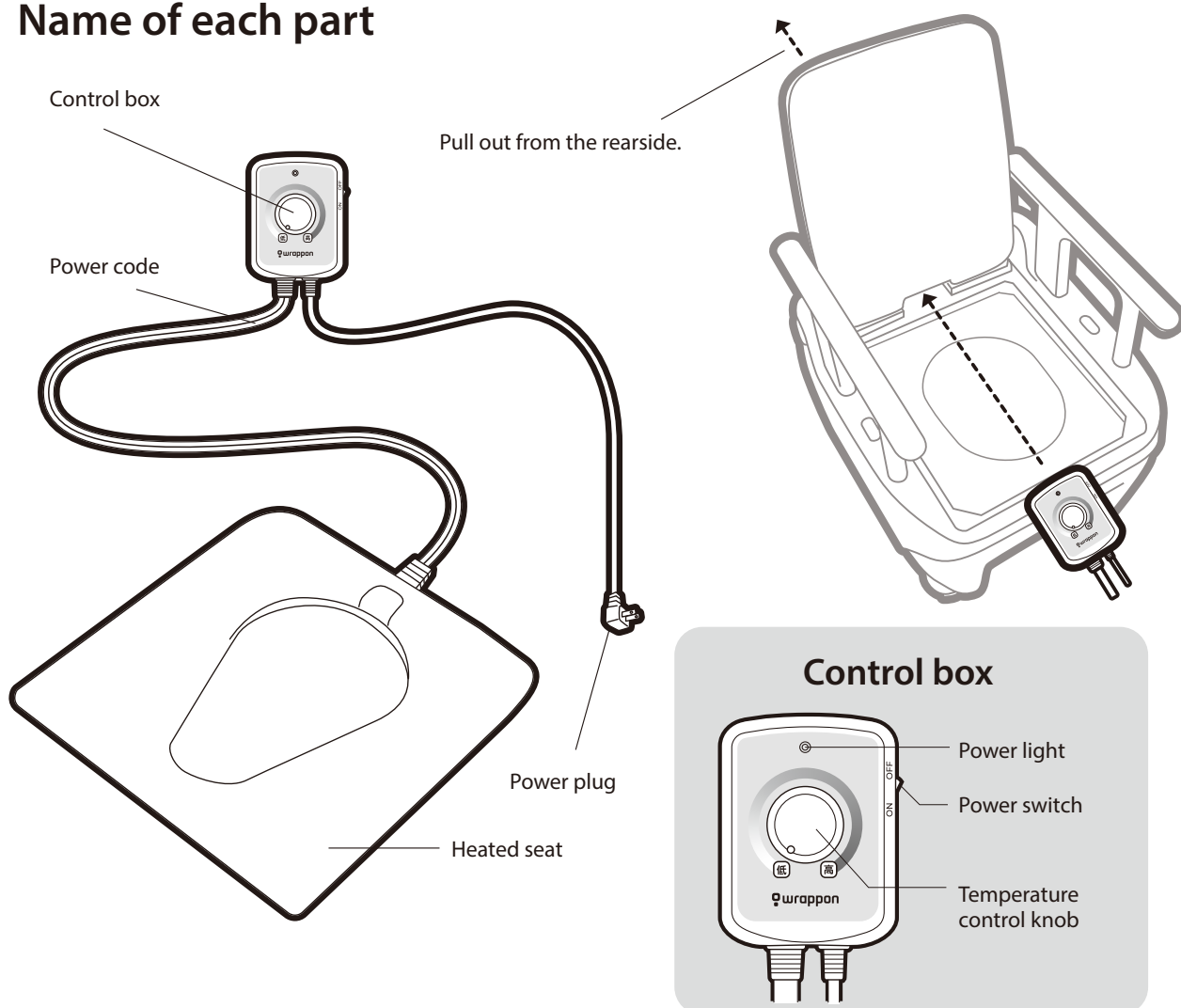
This complete the film cassette installation.



While the film cassette is on, do not tilt your chair.
The film cassette may come off and become unusable.

How to Use the Heated Toilet Seat

Name of each part



How to use

1 Insert the power plug into the outlet and switch on.

Make sure you insert the plug to AC100V outlet.

2 Adjust the temperature.

Turn the temperature control knob to adjust temperature. You can adjust from 28 - 40 °C between low and high.

⚠ Warnings

If you touch the same part of the skin for a long time even at about 40°C it may cause burns.

How to Use the Heated Toilet Seat (continued)

Care

- Please pull out the power plug.
- Do not submerge in water.
- Clean with a soft sponge or cloth. Use a neutral detergent and wipe off the moisture with a dry cloth.

⊘ Warnings

- Do not splash water or urine.
- Sitting for a long time, please lower the toilet seat temperature or switch off.
- Do not use as a step stool.
- Discontinue use if the toilet seat or power cord is damaged.
- When the next person is used, lower the toilet seat temperature or turn off the switch. Please be careful of those around you.
【Children, elderly, sick person, those who cannot control the temperature by themselves and those with sensitive skin】
- If the power cord is damaged, it is dangerous, so please contact Wrappon safety call.

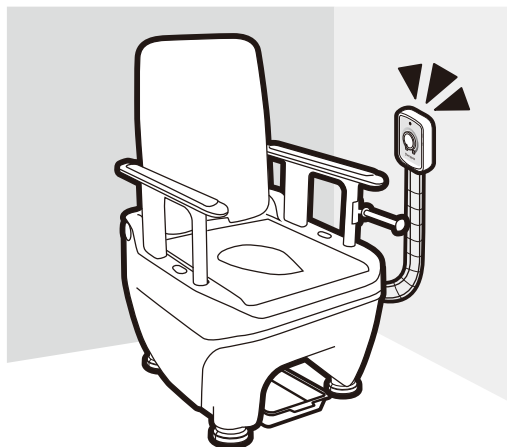
⊘ Warnings

- Do not pour chlorine based detergent, insecticide and thinner, etc.
- When not in use for a long time, please switch off or unplug the power plug.

To prevent falls from cables

【When in use】

Fix the remote control to the wall, etc.



Troubleshooting

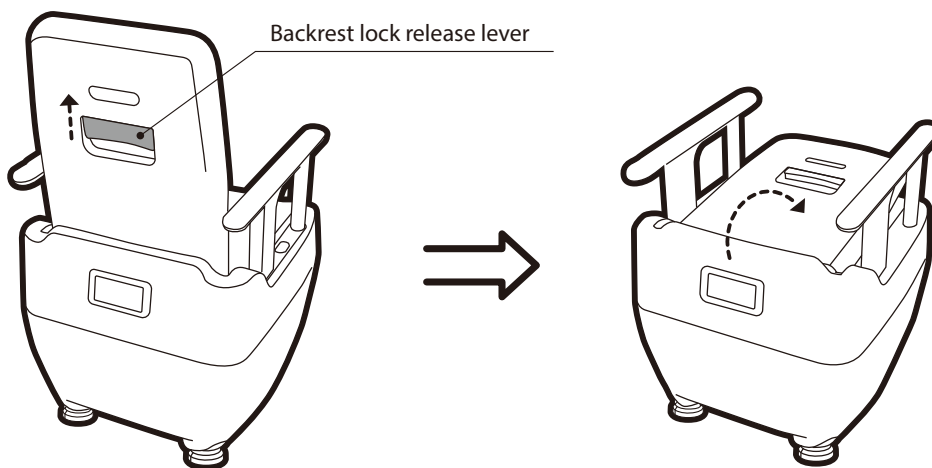
If the toilet seat does not get warm

- ① Make sure the power plug is plugged into the outlet.
- ② Check if the power light is lit.

How to Use each Function

To recline the backrest

To recline the backrest, lift the backrest lock release lever at the back of the backrest upwards to unlock it, then tilt the backrest forward.



How to use the caster

When moving the chair, make sure the armrests are securely locked. Lift the front side of the armrests to move the chair.



! MUST BE OBSERVED

Do not move the toilet while someone is sitting on the toilet

This may cause damage to the casters or result in injury.

Check for waste before moving. waste may spill.

Tilting the unit excessively while moving may cause spillage of waste.

Using the Toilet

- When using the toilet, please insert the power plug into the outlet.
- Please sit in the posture of a Western-style toilet.
- Do not urinate standing up. Please use it while sitting down even when urinating.
- If you drop something in the toilet while in operation, please wait until wrapping operation complete, then, open the bag and take something out.
- Do not put your hands in the toilet while the power plug is plugged in.
- Do not put in such as cigarette and sharp object other than stool, wet tissue and sanitary items.
- If there is a bag on the tray, please throw it away.
- This product is not completely sealed. Depending on usage environment, a poor seal can result in leakage of contamination.
When using, be sure to add a coagulant and use the dedicated tray.

Use

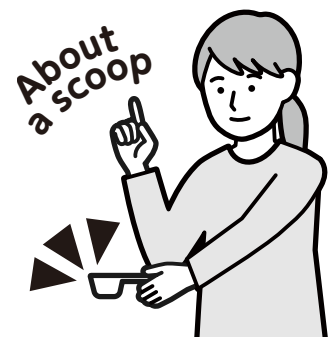
Please check before use

- While remote control in operation, please make sure the lamp is off.
- Check for the film and if a red STOP mark appears on the film in the toilet, please change the film cassette(refer to page 23).
- Check that there is no damage to the part that touches the body such as a wooden chair. Do not use it if damaged.

1 Open the seat and put in about a scoop of coagulant.

- ※ For more information, please refer to the precautions for use as listed on the bag of Coagulant T3.

Before relieving yourself, be sure to put.



2**Relief yourself.**

Sit in the correct posture on the toilet seat. If you sit too shallow, it may leak. So please sit down deeply and use it.

Don't let the baby wipes get caught on the compression bar after use. Please throw it away as far back as possible.

3

When finished, operate the processing.

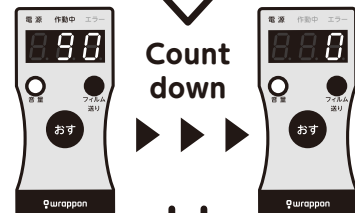
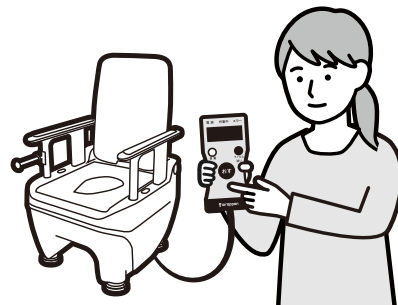
Press and hold the flush button for about 1 second.

Without sitting on the toilet seat,

Be sure to press the flush button while not sitting on the toilet seat.

If you press the flush button while sitting, it may cause the film to tear.

While wrapping, operating light flashes green. The display screen shows an estimate of the remaining time until the wrapping is completed. Wrapping will be completed in about 90 seconds, and you will hear beeping sounds. The operating light of the remote control goes out and wrapped film is automatically separated. Do not use it until the film is completely separated.



Never pull the film until wrapping is finished.

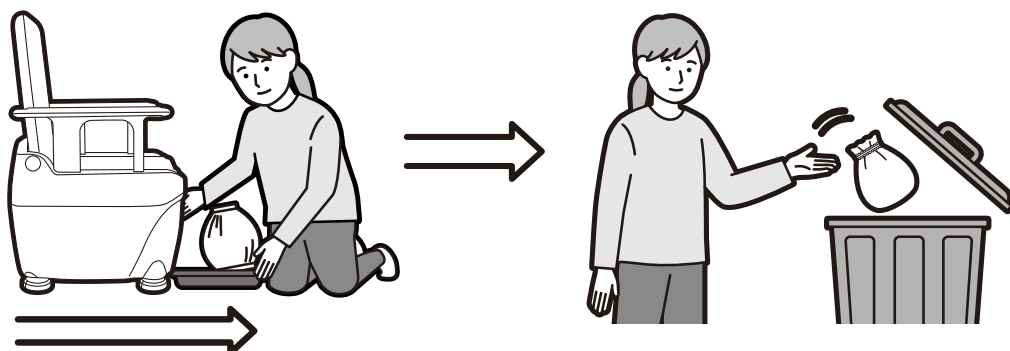
4

After confirming that the flush light of the remote control is off,

pull out the tray and throw away the wrapped waste.

※Please throw away the bag that fell into the tray each time.

※Please handle according to the instructions of each local government.

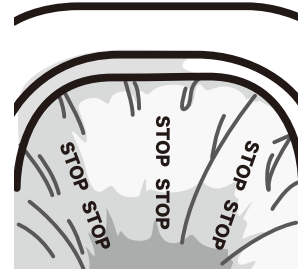


Replacing the Film Cassette

When 'STOP' marks appear on the film inside the toilet

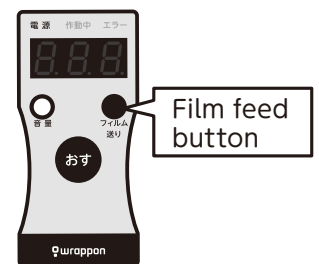
1 Promptly replacing the film cassette.

If you continue to use, film sensing sensor senses that the film has run out and [E.61] is displayed on the screen of remote control. After that, a beeping sound will be heard in 5 second interval. In that case, please replace the film cassette after confirming that the wrapping operation is completed.



2 Push the film feed button of the remote control.

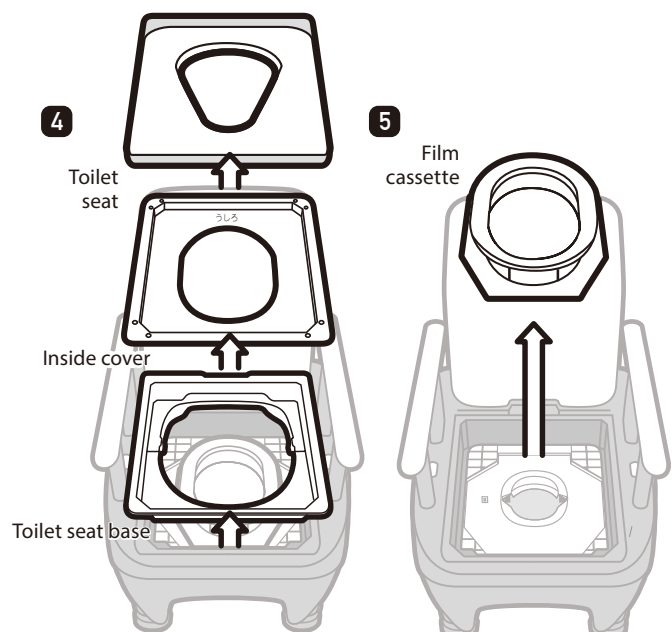
If you keep pressing the film feed button, the film is fed about 20cm. And repeat the operation until the film runs out.



3 Pull out the power plug from the outlet.

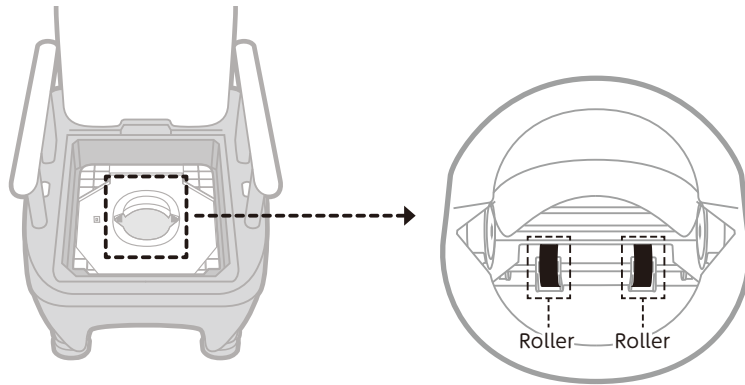
4 Remove the toilet seat, toilet seat base and the inside cover.

5 Remove the empty film cassette from the top plate.



6 Wipe off the dirt on the roller.

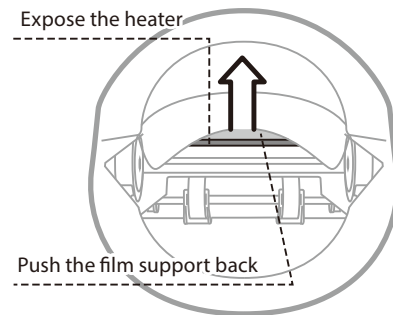
Wipe the rollers with a tightly wrung cloth or wet tissue.

**7 Prepare the cloth.**

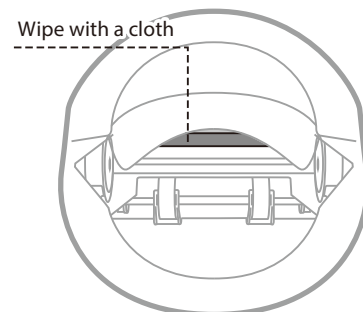
Please remove the cloth taped to the film cassette.

8 Expose the heater.

Press the film support (white resin part) to expose the heater.

**9 Wipe off the dirt on the surface of the heater.**

Wipe off dust and dirt adhering to the surface of the heater with a cloth.

**10 Install the film cassette.**

Procedure of 'Installing the film cassette' on page 14.

Please take a look at **3** to **10** items.

Cleaning and Maintenance

Please clean after each use so that the product can be used cleanly forever.

- When cleaning and inspection, please remove the power plug from the outlet.
- Regularly clean the dust on the power plug.
- Do not pour water directly on the main unit.
- When cleaning, do not use toilet detergent, benzene, thinner and cleanser.
- When finished cleaning, install and use the toilet seat correctly.

! MUST BE OBSERVED

Do not use the following for cleaning.

Chlorine-based detergents, Acidic or alkaline cleaners, Thinner, Creosote, Scrub brushes, Abrasive sponges, Polishing powders, Boiling water(e.g., for sterilization)*

Do not leave the unit outdoors or expose it to direct sunlight.

Daily maintenance

● Main body

Light dirt.....Wipe with a soft tightly wrung out cloth.

Heavy dirt....Wipe off with a soft cloth dampened with diluted neutral detergent.

Afterwards, wipe it off with water.

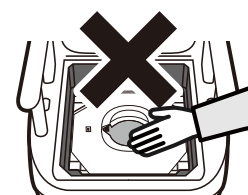
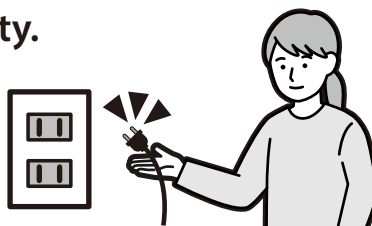
Check screws....Check that the screws on the chair body are not loose. If there is any looseness, please tighten it firmly.

● Tray • toilet seat

Remove dirt with a diluted neutral detergent and wash with water.

When the inside of the toilet is dirty.

When the inside of the toilet is dirty, immediately stop using the area around the heater and compressed bar, unplug the power plug from the outlet and contact the store you purchased the product or call Wrap-on safety call center for consultation.



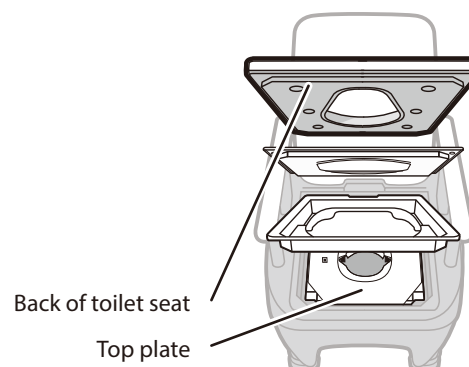
Do not touch

When installing the film cassette

When installing a new film cassette, we recommend cleaning the back of the toilet and the top plate.

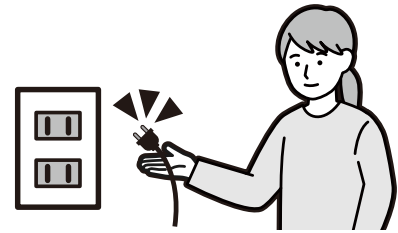
Wipe with a soft, tightly wrung out cloth.

The inside cover is consumable. If it becomes dirty or damaged, please replace it with a new one.

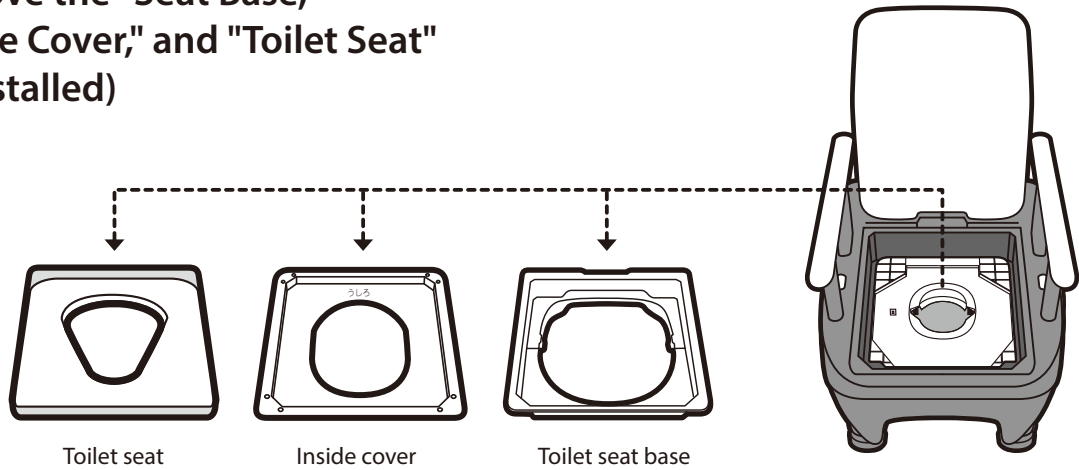


Replacing with a Bucket (Optional Accessory)

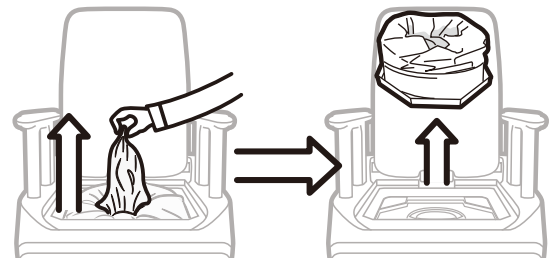
1 Unplug the Power Cord



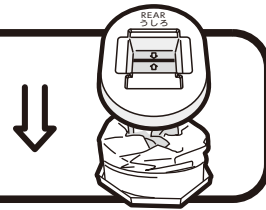
2 Remove the "Seat Base," "Inside Cover," and "Toilet Seat" (if installed)



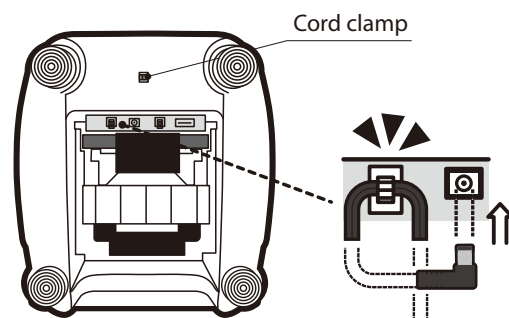
3 Remove the "Film Cassette"
Lift the center of the film cassette, release the film from the rollers on both sides, and then remove the cassette.



Attach the lid to the removed film cassette and store it carefully for future use.



4 Disconnect the "AC Adapter"
Lower the unit slightly, release the clips securing the AC adapter cord, and unplug the adapter.

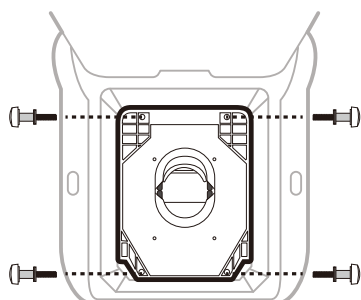


Store Properly

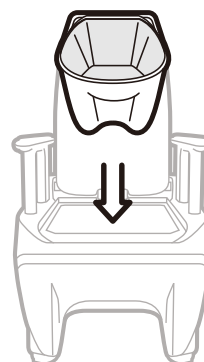
Replacing with a Bucket (Optional Accessory)

5 Unscrew the "Sealing Unit"

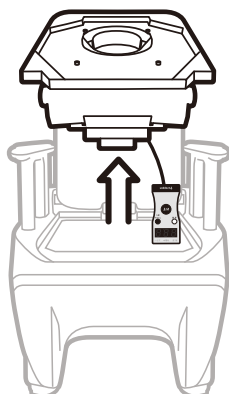
Loosen and remove the hand screws located at the four corners of the unit.



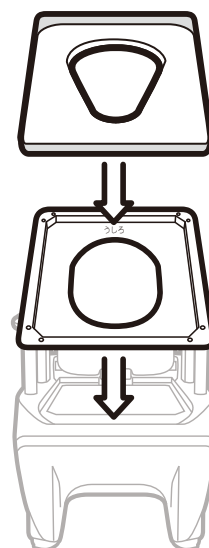
8 Set the "Bucket for ORB"



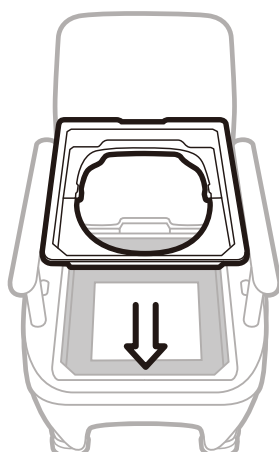
6 Remove the "Sealing Unit" and "Remote Control" Together



9 Attach the "Inside Cover" and "Toilet Seat"



7 Install the "Toilet Seat Base"



The removed processing unit and AC adapter are precision devices. Store them carefully to avoid damage from impact or drops.

※To switch back to the automatic wrapping system, follow these steps in reverse order.

Storage

- Refer to 'Taking care of' on page 26, wipe off any dirt on the toilet seat before storing.
- During maintenance and inspection, please remove the power plug from the outlet when not using for a long time or when storing.
- If there is a bag left under the toilet, please throw it away.
- If the bag is stored for a long time, the smell may leak due to deterioration of the thermo-bonding part, please dispose of it as soon as possible.

About the storage place

The optimal environment is indoors with a temperature range of 0°C to +40°C and low humidity.

⊘ Warnings

Do not store the product in the following places.

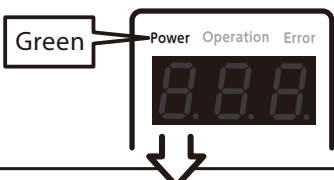
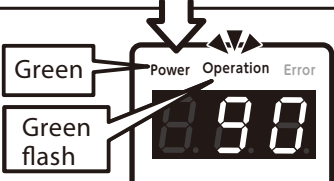
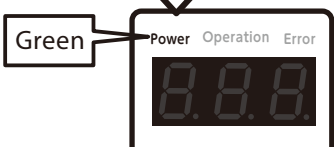
- Locations with a lot of dust.
- Locations where humidity exceeds 80%, such as bathrooms.
- Locations subject to rain or direct sunlight.

Frequently Asked Questions

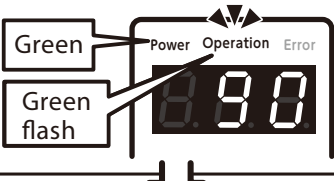
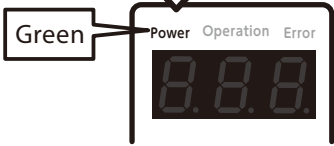
Q(Questions)	A(Answers)
Will the wrapped waste really not emit odor even if left as is.	If wrapped film is stored for a long time, wrapped waste in the bonded area may deteriorate and cause odor leakage. So, dispose it without delay.
Do I have to wash the tray every time?	It should not become soiled because waste is wrapped after each use. Should the tray become soiled, wash it with water.
Can I dispose of the wrapped waste as combustible waste?	Like disposable diapers, wrapped waste is treated as combustible waste. However, because the specific rules vary among individual local governments so please check with your local government.
How should I clean the product?	Gently wipe with a soft cloth soaked with neutral detergent and rinse with a damp cloth dipped in water and wrung out. The unit contains a heater for wrapping the film. Therefore, never pour or spray water on the unit when cleaning the unit. Otherwise, the heater may malfunction.
Is it safe to flush waste solidified with paper coagulating agents in a water toilet?	Please flush the waste that is not absorbed by paper coagulant. There is no problem in flushing the paper coagulant attached to the waste down the toilet. For more information, please check the precautions written on the paper coagulant bag.

About Display of Remote Control

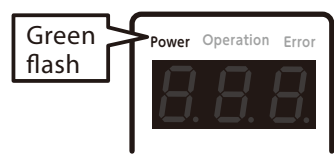
Display when using the toilet

Display	Condition	Explanation
 <p>Green</p>	Ready	Power supply light is green.
After relieving, press and hold the flush button of remote control unit for one second.		
 <p>Green</p> <p>Green flash</p>	Wrapping	Operating light flashes green. The approximate remaining time to complete wrapping will be displayed on the display screen. Please wait for a while as it is wrapping. ※Wrapping takes approximately 90 seconds.
 <p>Green</p>	Ready	The operating light goes off and beep sounds are heard. After taking out the wrapped film from the bottom cover you can use the toilet again.

Display when re-wrapping

Display	Condition	Explanation
 <p>Green</p> <p>Green flash</p>	Re-Wrapping	When the operation is interrupted for some reason while wrapping, wrapping motion will be resumed after the power is turned on again. Power lights up in green and operation light flashes green.
 <p>Green</p>	Ready	Wrapping is completed when the operation light is turned off and beep sounds heard. Remove the wrapped film, then you can use it again.

Energy-saving mode and standby mode

Display	Condition	Explanation
 <p>Green flash</p>	Ready	After one minute and five minutes, it becomes an energy-saving mode as the power light flashes. Then, if you do not use more than 60 minutes, the power is turned off automatically. To restart, you push any button, then the power is on and after initial operation, it can be used again.

About Display of Remote Control (continued)

Display after film cassette is installed

Display	Condition	Explanation
Press the operation button.		
<p>Green Green flash</p>	Machine is in operation	<p>Operation light flashes green. Estimated remaining time to complete the wrapping process is displayed on the display screen. So, please wait for a moment. ※Wrapping takes approximately 90 seconds.</p>
<p>Green</p>	Ready	<p>Wrapping is completed when the operation light is turned off and beep sounds are heard. Remove the wrapped film, then you can use it again.</p>

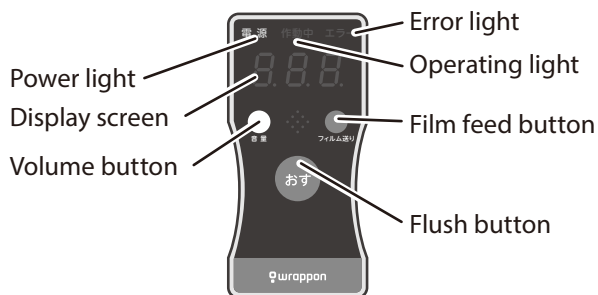
When the error occurs

Display	Check the following	Countermeasures
<p>Flashing depending on the condition. Green Red flush Error code display</p>	<p>Displayed error codes are E.22, E.23 and E.24.</p>	<p>⇒ Buzzer sounds. Remove the foreign articles near the sealed area and push the operation button.</p>
	<p>Displayed error code is E.61,</p>	<p>⇒ If you heard beep sounds at 5 second interval, please change the film cassette.</p>
	<p>Displayed error code is E.72.</p>	<p>⇒ Please charge the dedicated battery.</p>
	<p>Other than the above</p>	<p>⇒ Please contact the seller.</p>

In Case this Happens

If the product does not work correctly after you have tried the steps described in the table below, contact the seller or Wrappon safety call.

Remote control



Explanation of each button

- Volume button** Adjust the volume from 1-3
 - Flush button** Press and hold to start processing
 - Film feed button**
- When changing the film roll, send out the remaining film.

When this happens		Check the following	What to do
Condition of Wrappon · ORB	The power does not turn on (the power supply light on the remote control unit is not lit.)	Is the power off?	⇒ If you are not using more than 60 minutes, the power is automatically turned off. Push any button of remote control, then, the power is on.
		Has there been a blackout or tripped breaker?	⇒ If the circuit breaker has tripped, unplug the power supply cord from the electrical outlet, and reset the circuit breaker. Plug the power supply cord. Turn on the main power supply.
		Are the power cord or plug disconnected?	⇒ Securely plug in the AC adapter into the main unit.
		Other than the above	⇒ Please contact the store you purchased.
	Long press on remote control flush button does not wrap.	Is the power supply light (green) of the remote control unit OFF?	⇒ The power supply is not on. See 'The power does not turn on in the above.'
		Did you press the flush button on the remote control unit immediately after turning on the main power supply?	⇒ You must wait for about 10 seconds after turning on the main power supply to make sure the condition light on the Remote Control Unit is green. Then, press and hold the flush button on the Remote Control Unit.
		Is the error light on the remote control unit flashing?	⇒ Refer to "Display window and error lights on the Remote Control Unit" on page 23.
	Other than the above	⇒ Please contact the store you purchased.	
About the display of the remote control (page 29 and 30) which is not listed.		⇒ Please contact the store you purchased.	

In Case this Happens(continued)

When this happens		Check the following	What to do
During in use	Wobbly when sitting	Are screws of legs, armrests, and backrest?	⇒ Tighten the screws of legs, armrests and backrest securely.
		Other than above	⇒ Please contact the store you purchased.
	The film inside the toilet is torn..		⇒ Press and hold the flush button on the remote control for about one second and please send one time blank. After that, please confirm that the new film is not torn and start using it. If you press the remote control while sitting, doing so may cause the film to tear. Please stand up before pressing.
	Used it without a film cassette.		⇒ Stop using it immediately and unplug the power plug. After that, please call the store you purchased.
	Red 'STOP' marks appeared on the film in the toilet.		⇒ It is time to replace the film cassette. Please refer to 'Film cassette replacing' on page 23.
	Forgot to pour paper coagulant.	Before pressing the flush button on the remote control	⇒ Put in the prescribed amount of paper coagulant and press the flush button on the remote control.
		After pressing the flush button	⇒ Please follow 'Rewrapping' on page 32.
	Blackout during wrapping		⇒ Wrapping will resume when the power is restored so please do not pull forcefully until wrapping is complete and the film is separated.
	Bag does not separate or is difficult to cut.	Looking into the toilet from above, is there wet tissue or other objects stuck in it?	⇒ Press and hold the flush button on the remote control again for about 1 second(sending one time). Please process the separated bag according to 'Rewrapping' on page 32.
		Is there any wrapped bag left in the tray?	⇒ Remove the wrapped bag and press and hold the flush button on the remote control for about 1 second(please send one empty).
Is the film stuck to the heater?		⇒ Remove the film from the heater and clean the heater according to the film cassette replacement(6-7) on the Film cassette.	
Other than above		⇒ Please contact the store you purchased.	

When this happens		Check the following	What to do
During in use	Waste has leaked.	Did you forget to press the flush button after changing the film?	⇒ Follow "Correct re-wrapping" listed below.
		Is there a hole in the wrapped film?	⇒ Follow "Correct re-wrapping" listed below. If you press the button while seated, this may cause the film to tear. You must press the button after standing up.
		Did you pull the wrapped film forcefully before the film is cut?	⇒ Follow "Correct re-wrapping" listed below. Wrapping takes about 90 seconds. After completing the wrapping cycle, you can hear the beep sounds. The flash light of the remote control unit becomes off.
		Did you forget to pour the polymer coagulant in?	⇒ This product does not seal completely. Depending on the operating condition and condition such as wrong film setting, the waste inside the film may leak so make sure you pour polymer coagulant. After that, refer to "Correct re-wrapping" listed below.
		Other than above	⇒ Please contact the store you purchased.
	Waste is not wrapped correctly.	Has the film come off the rollers?	⇒ Please set the film according to the procedure of 'How to remove the film during use' on page 34.
Other than above		⇒ Please contact the store you purchased.	

Correct re-wrapping

- ① Open the film that has been incorrectly wrapped.
 - ② Firstly, pour a scoopful of paper coagulant. Then, put the film of ①.
 - ③ Press and hold the flush button of remote control unit for one second.
- If Wrappon•ORB becomes soiled with waste, refer to 'Taking care of on page 25.
 - Should the waste get on your hand, wash it thoroughly with water and disinfecting soap, and then, disinfect with alcohol.

In Case This Happens(continued)

When this happens		Check the following	What to do
Accessory & Consumables	Some accessories are missing.	Check the accessories against the parts and accessories list and consumable supplies on page 10.	⇒ If some items are missing, call the seller.
	Some accessories have been lost or damaged. I ran out of consumables.		⇒ Please contact the store you purchased.
Burning smell or smoke is coming out of the product.			⇒ Stop using the product immediately and unplug the power cord. Then, call the seller.
Someone accidentally ingested the paper coagulant.			⇒ This coagulant is not harmful to people, but it is suggested that you see the doctor soon if you are not feeling well or abnormal.
Something was dropped accidentally into the toilet.			⇒ Wait until the wrapping cycle completed. Then, open it to take something out.
The chute came off			<p>⇒ Install the chute. As you widen the chute, install the chute into the holes and grooves of the frame.</p> <p>A hole and a groove of the frame.</p> <p>When installing, please widen the width.</p> <p>Shute</p>

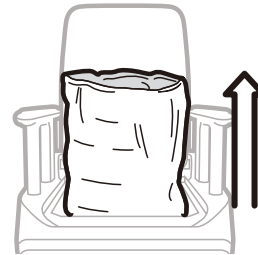
How to Take Out the Film While in Use

• Before working, please unplug the power plug from the outlet.

1 Prepare scissors.

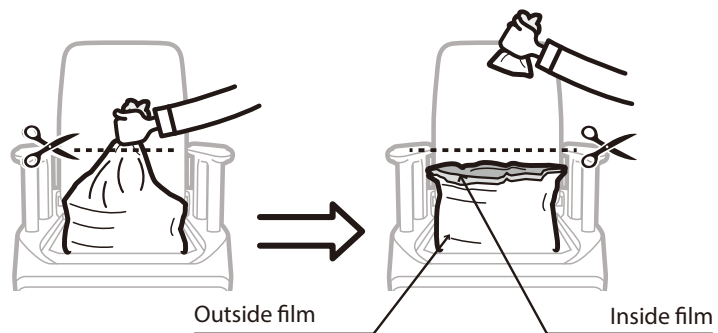


2 Lift the outside of the film.
Lift up to a height of about 40cm from the top plate.



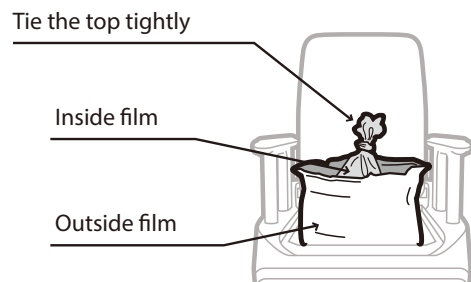
3 Cut the top of the film with scissors.

The film is divided into two parts, inside and outside.

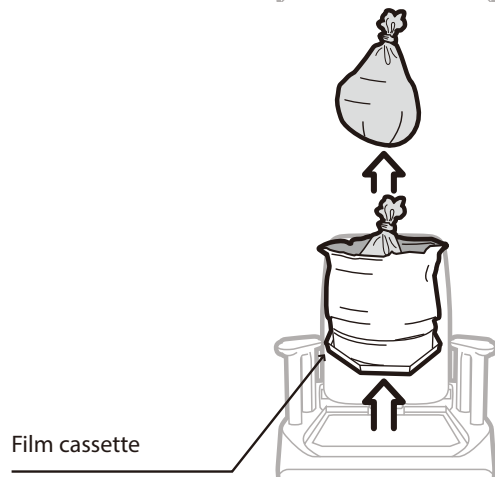


4 If the contents are inside the film, make sure to tie the inside film tightly to prevent the contents from spilling.

Please reduce the amount of air inside as much as possible.



5 Pull out the inside and remove it from roller.
Complete by lifting the film cassette.

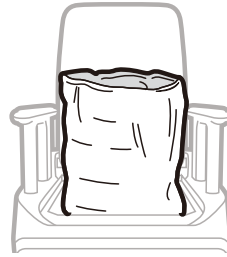


What this happens

How to Install the Film Cassette While in Use

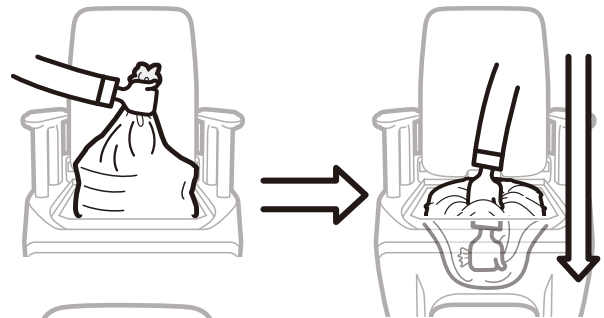
1 Lift the outside of the film.

Lift up to a height of about 40cm from the top plate.

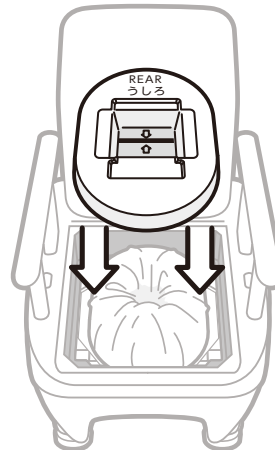


2 Push the film.

Pinch the top of the film together and push in. Push the film in your hand into the toilet.



3 Place the lid of the film cassette.



4 Do the 'Setting the film cassette' items 4 - 10 on page 17.

Specifications

Item		Specifications
Product Name		Wrappon · ORB
Model No.		OBSESMN2jh
Materials	Chair	Polypropylene resin
	Standard toilet seat	
Power supply	Input voltage	AC100V±10V
Power consumption		75W or less during operation and 5W less in the standby state
Dimensions	External demensions	55cm(L)×59.2cm(D)×93.3~99.3cm(H)
	Seat width	54.4cm
	Height to the toilet seat(3 level adjustable)	40cm、43cm、46cm
	Height from seat to armrest(3 level adjustable)	21.2cm
Weight		Main body approximately 17kg
Maximum, load capacity		Below 100kg
Ambient temperature	When operating	0°C~+40°C
	When not operating	-20°C~+60°C
Ambient humidity	When operating	20~80%(No condensation)
	When not operating	5~95%(No condensation)
Ambient atmosphere		Corrosive gas must not be present.
Safety function		Pinch protection ^{※1}

※1 Pinch protection is the function to stop the movement when noticed the foreign material other than film during sealing movement. Do not put your hand or body into the toilet.

Warranty and After-Sale Service

Before you call the store you purchased, please prepare the following.

1. Warranty

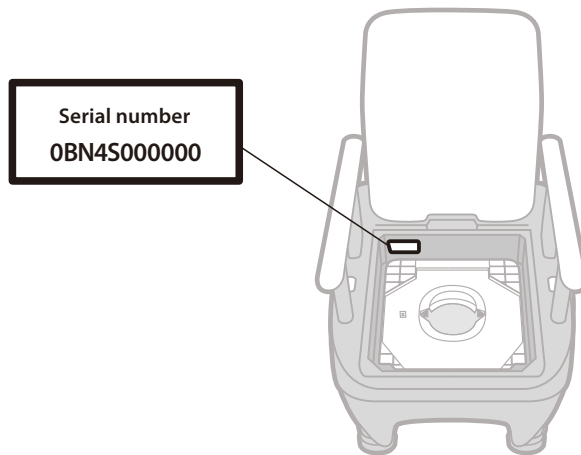
Please give us serial number, date of purchase and the store name which are written on the warranty.

If it breaks down within the stated warranty period, repair without charge is done if you show the warranty. And, we charge repair fee for the repair not applicable of free repair stated in the warranty even within the warranty period.

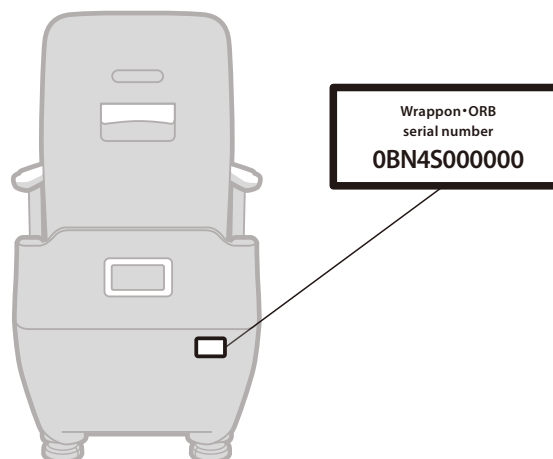
2. If there is no warranty

Please check the serial number(11 digit number starting PL) which is affixed on the product. It is listed on either inner left back after removing toilet sheet or on the back side of the main body. After confirming, please inform serial number, date of purchase and the store name.

【Removed the toilet seat,etc.】



【Back】



MEMO

A series of horizontal dashed lines for writing.

MEMO

A series of horizontal dashed lines for writing.

 wrappon®

 **NIHON SAFETY CO.,LTD.**

11th floor Ichiban-cho Tokyu Building
21 Ichiban-cho Chiyoda-ku Tokyo 102-0082 Tokyo, Japan
TEL. 81-3-6369-2223 FAX. 81-3-6369-2228

PLMA0011E

First rev. Dec. 2024